

Product Introduction

ONEhalf20 Oil Filled Melt Pressure Transducers are designed specifically for food, packaging and medical processing applications. The food grade oil fill material meets the requirements of both the FDA and the USDA. This series of melt pressure transducers utilize a Wheatstone Bridge - bonded strain gauge design insuring high accuracy, reliability and repeatability.

ONEhalf20 Oil Filled Melt Pressure Transducers are available in two distinct styles. The CTO style melt pressure transducer, is the classic melt pressure transducer design. The CTO style melt pressure transducer comprises a 6" rigid stem, along with 18" of flexible capillary, for optimal thermal isolation. The RTO style melt pressure transducer, has only a 6" rigid stem, and is a rigid stem only version of the classic melt pressure transducer.

Features & Benefits

- wide variety of pressure ranges
- all welded all stainless steel sealed construction
- direct replacement for competitors models utilizing the Bendix 6 pin bayonet style connector
- standard 3.33 mV/V output
- oil fill meets FDA and USDA requirements
- internal 80% shunt calibration
- reliable, repeatable and accurate pressure measurements



General Specifications

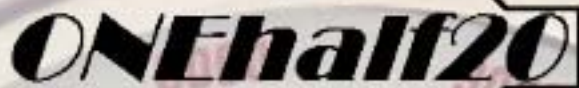
Mechanical

Pressure Ranges: 0-1,000 psi to 0-10,000 psi
metric ranges available
Mounting: 1/2-20 UNF thread
Mounting Torque: 500 inch pounds maximum
Diaphragm: 15-5PH stainless steel
Overload Capacity: 2 times FSO
Temperatures: diaphragm 615°F*
electronics 225°F
Accuracy: 1% FSO
Repeatability: better than 0.20% FSO
Zero Balance: +/- 10% FSO

Electrical

Type: bonded strain gauge,
4 leg Wheatstone Bridge
Bridge Resistance: 350 Ohm +/- 10%
Connector: 6 pin Bendix style bayonet
Output: 3.33 mV/Volt
Excitation Voltage: 10 Vdc - recommended
Calibration: internal 80% FSO
Insulation: 1,000 Megohms at 50 Vdc

* Recommended maximum diaphragm temperature for extended product life 527°F (275°).



Melt Pressure Transducers

Oil Filled

Food, Packaging & Medical Processing Applications

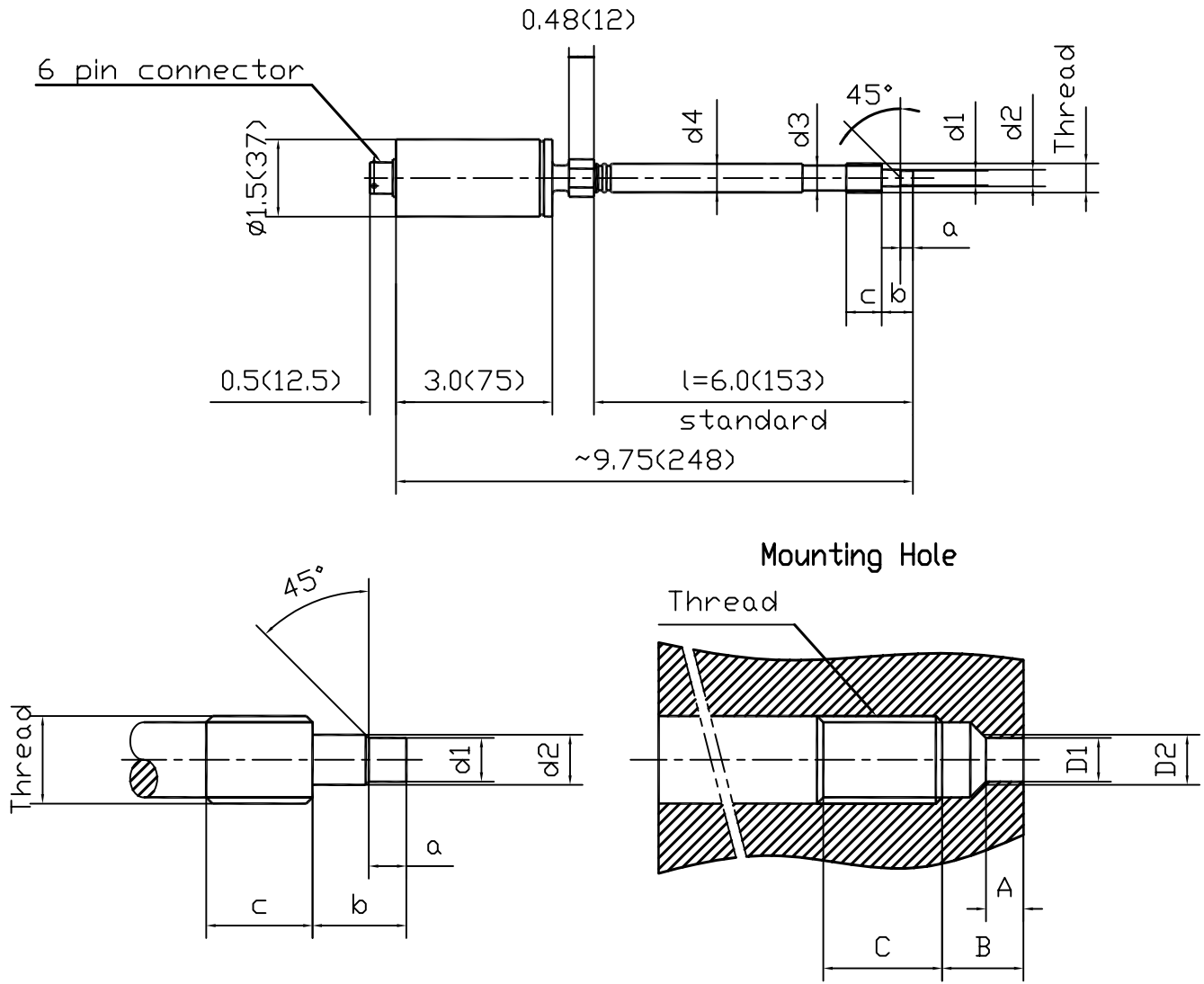
Ordering Guide

<u>Model Number</u>	<u>Configuration</u>		
CTO RTO	rigid stem with 18" flex capillary stem only (not available with temperature sensor)		
<u>Accuracy</u>			
"no designation"	1.0% Accuracy - standard		
<u>Rigid Stem Length</u>			
3 6 12	3" 6" - standard 12"		
<u>Output</u>			
Q R S	2.0 mV/Volt 2.5 mV/Volt 3.33 mV/Volt - standard		
<u>Standard Pressure Ranges</u>			
-1M	0-1,000 psi	-70B	0 - 70 bar
-1.5M	0 - 1,500 psi	-1CB	0 - 100 bar
-3M	0 - 3,000 psi	-2CB	0 - 200 bar
-5M	0 - 5,000 psi	-3.5CB	0 - 350 bar
-7.5M	0 - 7,500 psi	-5CB	0 - 500 bar
-10M	0 - 10,000 psi	-7CB	0 - 700 bar
<u>Common Options</u>			
-TCJ	Thermocouple Type "J" (not available on RTO model)		
-TCK	Thermocouple Type "K" (not available on RTO model)		
-PT100	100 Ohm Platinum RTD (not available on RTO model)		
-M18	M18 X 1.5 metric thread in place of 1/2-20 UNF		
For configurations not listed please contact your local ONEhalf20 distributor.			

North America Toll Free 877 781-1881

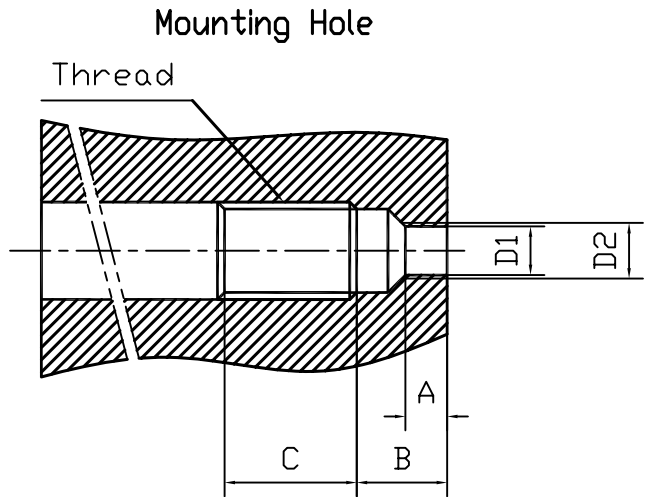
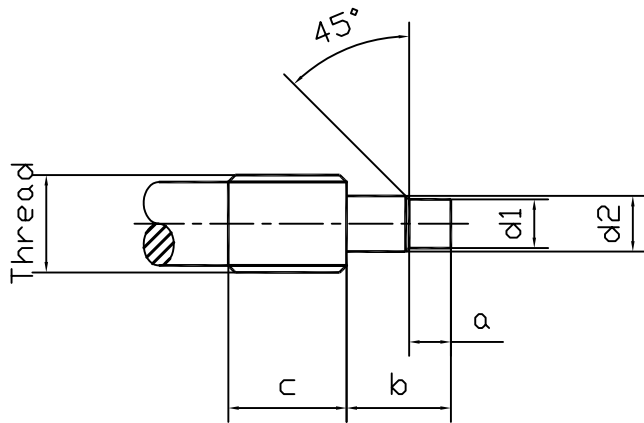
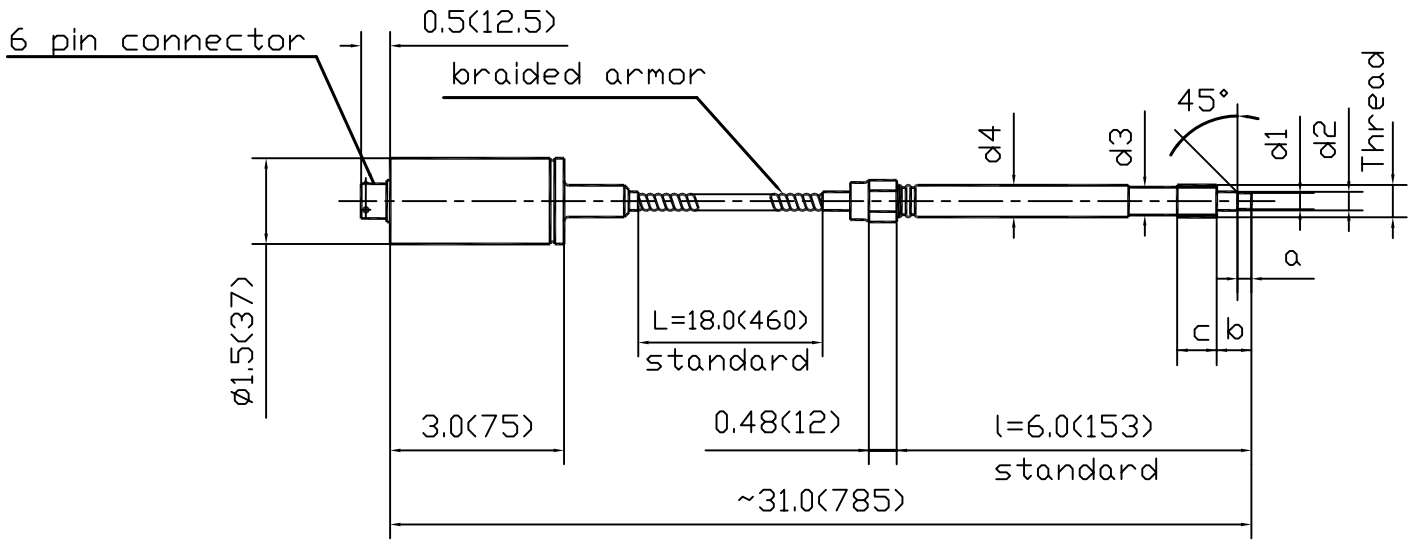
Other Locations 416 781-1881

www.onehalf20.com



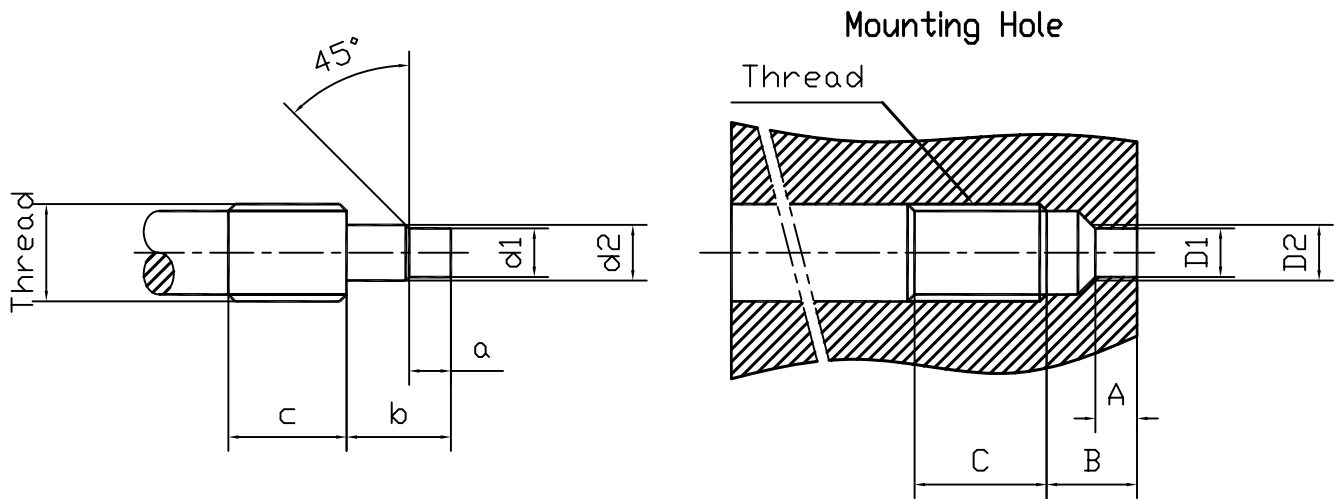
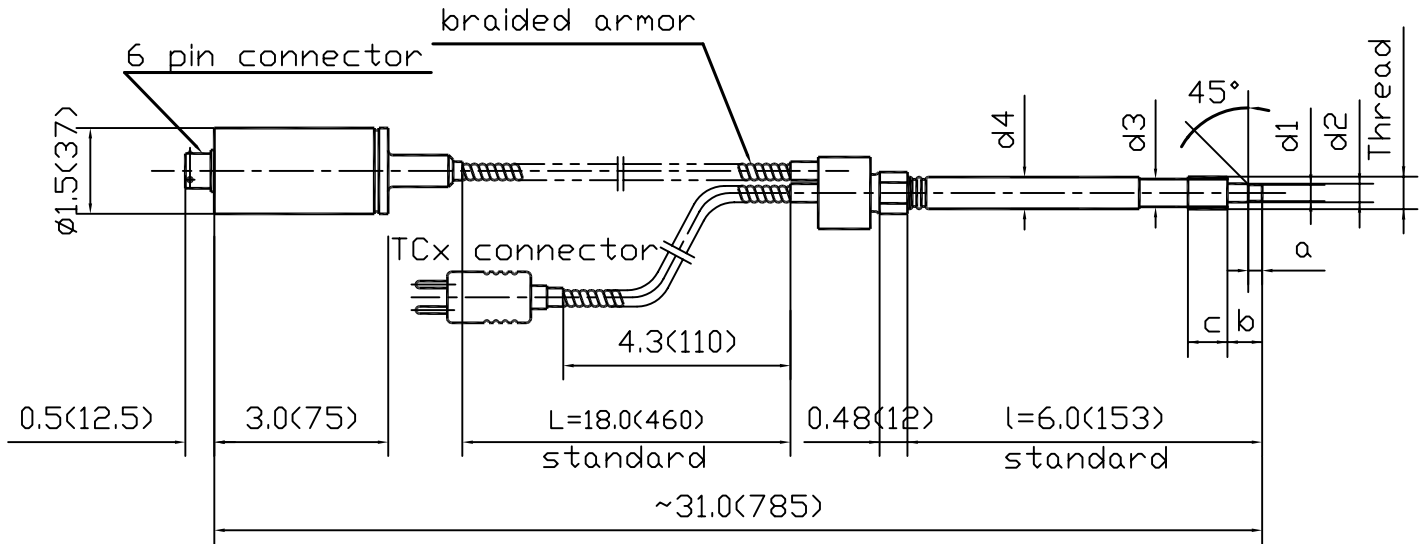
Thread	d1	d2	a	b	c	d3	d4
1/2"-20	ø0.307(7.8) ø0.303(7.7)	ø0.413(10.5) ø0.407(10.35)	0.217(5.5) 0.211(5.35)	0.441(11.2) 0.433(11.0)	0.629(16)	ø0.41(10.5)	ø0.5(12.7)
M14x1.5	ø0.307(7.8) ø0.303(7.7)	ø0.465(11.8) ø0.457(11.6)	0.217(5.5) 0.211(5.35)	0.441(11.2) 0.433(11.0)	0.708(18)	ø0.47(12.0)	ø0.54(13.7)
M18x1.5	ø0.394(10.0) ø0.386(9.8)	ø0.610(15.5) ø0.602(15.3)	0.236(6.0) 0.230(5.85)	0.551(14.0) 0.543(13.8)	0.787(20)	ø0.63(16.0)	ø0.669(17.0)

Thread	D1	D2	A	B	C
1/2"-20	ø0.314(7.98) ø0.312(7.92)	ø0.458(11.65) ø0.452(11.47)	0.225(5.72)	0.395(10.02)	0.75(19)
M14x1.5	ø0.314(7.98) ø0.312(7.92)	ø0.512(13.0) ø0.504(12.8)	0.225(5.72)	0.395(10.02)	0.827(21)
M18x1.5	ø0.401(10.19) ø0.399(10.13)	ø0.638(16.2) ø0.634(16.1)	0.242(6.15)	0.402(10.15)	1.00(25.4)



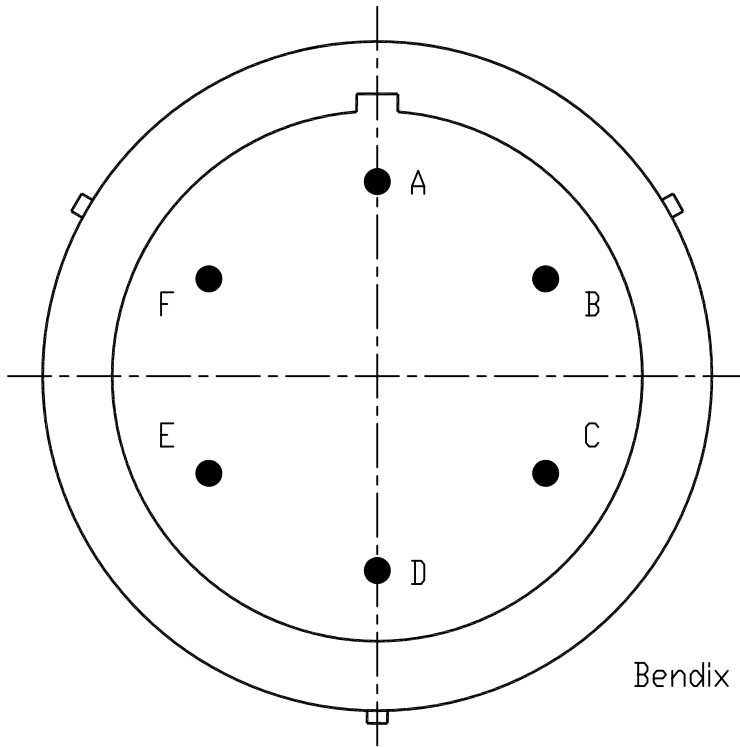
Thread	d1	d2	a	b	c	d3	d4
1/2"-20	ø0.307(7.8)	ø0.413(10.5)	0.217(5.5)	0.441(11.2)	0.629(16)	ø0.41(10.5)	ø0.5(12.7)
	ø0.303(7.7)	ø0.407(10.35)	0.211(5.35)	0.433(11.0)			
M14x1.5	ø0.307(7.8)	ø0.465(11.8)	0.217(5.5)	0.441(11.2)	0.708(18)	ø0.47(12.0)	ø0.54(13.7)
	ø0.303(7.7)	ø0.457(11.6)	0.211(5.35)	0.433(11.0)			
M18x1.5	ø0.394(10.0)	ø0.610(15.5)	0.236(6.0)	0.551(14.0)	0.787(20)	ø0.63(16.0)	ø0.669(17.0)
	ø0.386(9.8)	ø0.602(15.3)	0.230(5.85)	0.543(13.8)			

Thread	D1	D2	A	B	C
1/2"-20	ø0.314(7.98)	ø0.458(11.65)	0.225(5.72)	0.395(10.02)	0.75(19)
	ø0.312(7.92)	ø0.452(11.47)			
M14x1.5	ø0.314(7.98)	ø0.512(13.0)	0.225(5.72)	0.395(10.02)	0.827(21)
	ø0.312(7.92)	ø0.504(12.8)			
M18x1.5	ø0.401(10.19)	ø0.638(16.2)	0.242(6.15)	0.402(10.15)	1.00(25.4)
	ø0.399(10.13)	ø0.634(16.1)			



Thread	d1	d2	a	b	c	d3	d4
1/2"-20	ø0.307(7.8) ø0.303(7.7)	ø0.413(10.5) ø0.407(10.35)	0.217(5.5) 0.211(5.35)	0.441(11.2) 0.433(11.0)	0.629(16)	ø0.41(10.5)	ø0.5(12.7)
M14x1.5	ø0.307(7.8) ø0.303(7.7)	ø0.465(11.8) ø0.457(11.6)	0.217(5.5) 0.211(5.35)	0.441(11.2) 0.433(11.0)	0.708(18)	ø0.47(12.0)	ø0.54(13.7)
M18x1.5	ø0.394(10.0) ø0.386(9.8)	ø0.610(15.5) ø0.602(15.3)	0.236(6.0) 0.230(5.85)	0.551(14.0) 0.543(13.8)	0.787(20)	ø0.63(16.0)	ø0.669(17.0)

Thread	D1	D2	A	B	C
1/2"-20	ø0.314(7.98) ø0.312(7.92)	ø0.458(11.65) ø0.452(11.47)	0.225(5.72)	0.395(10.02)	0.75(19)
M14x1.5	ø0.314(7.98) ø0.312(7.92)	ø0.512(13.0) ø0.504(12.8)	0.225(5.72)	0.395(10.02)	0.827(21)
M18x1.5	ø0.401(10.19) ø0.399(10.13)	ø0.638(16.2) ø0.634(16.1)	0.242(6.15)	0.402(10.15)	1.00(25.4)



Bendix PT02-10-6P or Equivalent

	mV/Volt Output (Excitation-10Vdc)
Pin A/Red	Signal(+)
Pin B/Black	Signal(-)
Pin C/White	Excitation(+)
Pin D/Green	Excitation(-)
Pin E/Blue	Calibration 1
Pin F/Orange	Calibration 2