

# SSN



## Features

- ☆ DIN rail mounted compact SSR unit including heat-sink
- ☆ Dimensions: 21.5 x 100 x 100 mm (WxHxD) or 0.85 x 3.9 x 3.9 inches
- ☆ Close mounting on DIN rail. 172mm wide (6.8 inches wide) for 8 SSRs \*1
- ☆ CE, UL/c-UL approved

\*1 Maximum load current will vary depending on number of close mounted units.

## Specifications

### Max. Load Current

15A AC, 25A AC

### Min. Load Current

100mA AC

### Peak 1 Cycle Surge Current

15A type : 150A (50Hz)

25A type : 250A (50Hz)

### Input Signal

DC voltage pulse input, LOW(OFF) : 0V, HIGH (ON) : 4.5 to 30V

- Input impedance : 450 to 3.0kΩ (Built-in fixed current circuit : 10mA)

### Response Time

0.5cycle + 1msec

### On State Voltage Drop

1.6V (RMS), 240V AC

### Load Voltage

60 to 280V AC (47 to 63Hz)

### Insulation Resistance

More than 100MΩ (500V DC)

### Dielectric Strength

2500V AC for one minute between input and output terminals

### Operating Environments

-30 to +40°C, 45 to 85% (Non-condensing)

- See Temperature characteristics of load current

### Net Weight

Approx. 220g

### Off State Leakage Current

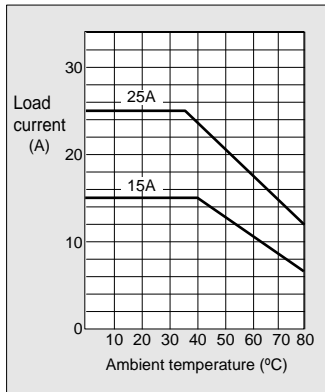
9mA, 240V AC

### Compliance with Standards

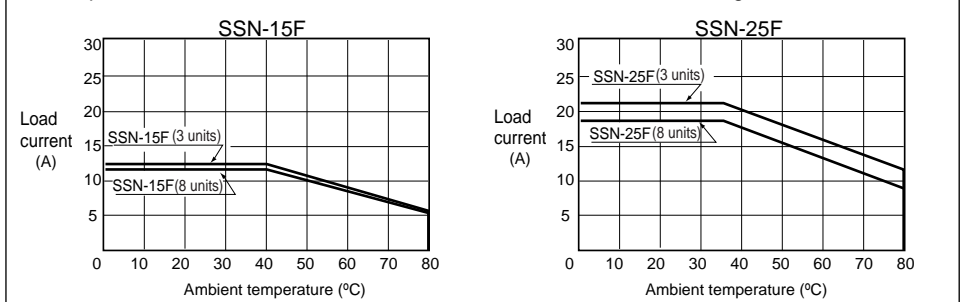
- CE Mark
- UL Recognized
- cUL Recognized



Temperature characteristics of load current



\* Temperature characteristics of load current with close horizontal mounting

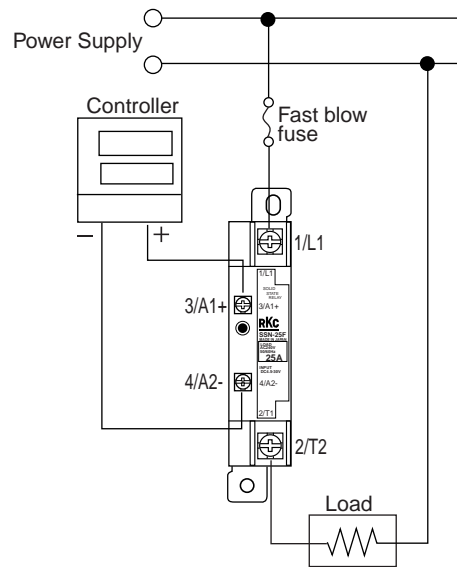


# Solid State Relay SSN

## Model and Suffix Code

Specifications	Model and Suffix Code		
Model	SSN	-	<input type="checkbox"/> <input type="checkbox"/>
Max. Load current	15A		15
	25A		25
Radiation fin	With fin		F

## External Wiring



## External Dimensions

