

USB Communication Converter **COM-KG**

The compact, palm-size design is easy to carry without even noticing it



■ *Serial communication converter between USB and RKC loader communication or USB and RS-485/RS-422A.*

Example of Connection



Main specification

USB communication function

Interface: Based on USB Ver. 2.0

Communication speed: Full speed (12 Mbps)

Connection: Connected by universal USB cable (Mini-B connector)

Power source method: Bus power

(The power is supplied from the USB port on the personal computer side)

Supported OS: Windows 7(32-bit/64-bit)

Windows 10(32-bit/64-bit)

Windows 11

Serial communication function

Interface: RS-485/RS-422A

Communication speed: 2400 bps, 4800 bps, 9600 bps, 19200 bps,
38400 bps, 57600 bps, 115200 bps

Protocol: Protocol depends on application of the personal computer side

Number of connecting controllers: Maximum 31 controllers

Termination resistor: Built-in termination resistor (120Ω)

General specifications

Power supply voltage: 5 VDC±5% (Supplied by USB bus cable)

*USB powered function is only available while using

RKC Loader Communication without USB hubs (Low power type)

Current consumption:

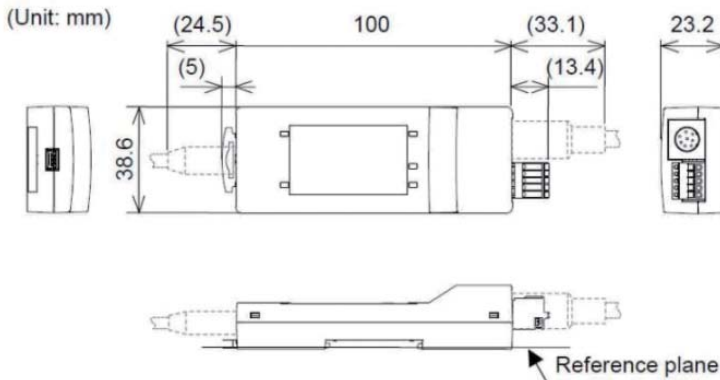
200 mA max. (While using RKC Loader Communication
with USB powered function)

100 mA max. (While using Serial Communication)

Allowable ambient temperature range: -10 to +55 °C

Weight: Approx. 50g

External dimensions



Models * (USB cable is included as standard accessory)

Specification	Model and Suffix Code	
	USB Communication Converter	COM- KG - □ N
Loader communication cable	Without RKC Loader Communication cable	N
	With RKC Loader Communication cable W-BV-01(1.5m)	1
	With RKC Loader Communication cable W-BV-03(1.5m)	3
	With RKC Loader Communication cable W-BV-05(1.5m)	4

Cables for RKC loader communication (Cable length 1.5m)

Model : W-BV-01-1500


<Compatible with FB Series, RB Series, RZ Series, SRZ Series, SB1, AG500, PG500, COM-ME Series, COM-ML Series, THV-10, THV-40>

Model : W-BV-03-1500

<Compatible with PF900, PF901>

Model : W-BV-05-1500

<Compatible with FZ Series, GZ Series, PZ Series>

 <p>Safety Warning</p>	<ul style="list-style-type: none"> Before operating this product, read the instruction manual carefully to avoid incorrect operation. This product is intended for use with industrial machines, test and measuring equipment. It is not designed for use with medical equipment. If it is possible that an accident may occur as a result of the failure of the product or some other abnormality, an appropriate independent protection device must be installed. 	<p>Caution for the export trade</p> <p>All transactions must comply with laws, regulations, and treaties.</p>
		<p>Caution for imitated products</p> <p>As products imitating our product now appear on the market, be careful that you don't purchase these imitated products. We will not warrant such products nor bear the responsibility for any damage and/or accident caused by their use.</p>

RKC® **RKC INSTRUMENT INC.**
(RIKA KOGYO CO.,LTD)

HEAD OFFICE : 16-6, KUGAHARA 5 CHOME OHTA-KU TOKYO 146-8515 JAPAN
PHONE : 03-3751-9799 (+81 3 3751 9799)
Email : info@rkcinst.co.jp
http://www.rkcinst.com/