

Connect your SRZ modules , FZ Series, and GZ Series to Ethernet network

Used to connect our SRZ series, FZ series, and GZ series to the Ethernet(MODBUS/TCP) network.

MODBUS/TCP
Communication Converter
COM-ME-1



Compatible models

SRZ Series

(Z-TIO-A / Z-TIO-B / Z-DIO / Z-CT)



FZ Series

(FZ110 / FZ400 / FZ900)



GZ Series

(GZ400 / GZ900)



Example of Connection

Allows initial configuration of the converter and data management for RKC temperature controllers.

Loader Communication

Temperature Control

SRZ

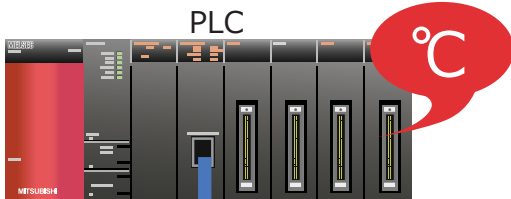
COM-ME-1 (Z-TIO-A / Z-TIO-B / Z-DIO / Z-CT)



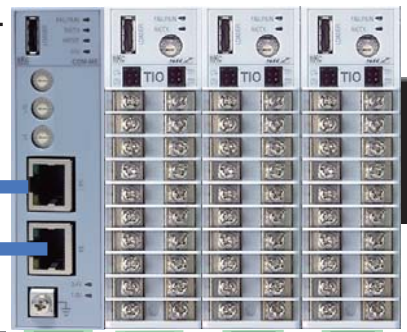
Module management software
PROTEM2

Available at RKC homepage

Do not use RKC Loader Communication for process control purpose



Ethernet
(MODBUS/TCP)



Host Communication

Connecting up to 30 modules

Max of 14 Z-TIO modules with 16 Z-TIO+Z-CT modules.
or
Max of 16 Z-TIO modules with 14 Z-TIO+Z-CT modules.



COM-ME-1

Loader Communication

Temperature Control

FZ Series



Connecting up to 31 units

GZ Series



Connecting up to 31 units

Host Communication RS-485

MODBUS



Specification

MODBUS/TCP Specification

- Physical layer : 100BASE-TX
- User layer : MODBUS/TCP
- Port spec : RJ-45×2 port
- IP Address : 0.0.0.0~255.255.255.255
*Local backloop address (127.0.0.1~127.255.255.254) can not be used.
- Subnet mask : 0.0.0.0~255.255.255.255

Host communication or Controller communication

- SRZ: Host communication
FZ110 / FZ400 / FZ900, GZ400 / GZ900: Controller communication
- Interface : EIA RS-485
 - Synchronous method : Start/stop synchronous type
 - Communication speed : 9600bps, 19200bps, 38400bps, 57600bps
 - Data bit configuration : Start bit: 1
Data bit: 7 or 8 (MODBUS 8 bit only)
Parity bit: None, Odd or Even
Stop bit: 1
 - Protocol : ANSI X3.28-1976 subcategories 2.5 and B1
: MODBUS-RTU
 - Maximum connection:
SRZ: Maximum 30 modules in a combination of Z-TIO + Z-DIO + Z-CT; the module number of Z-DIO and Z-CT varies depending on the total number of Z-TIO modules (maximum 16 Z-TIO modules per connection).
FZ110 / FZ400 / FZ900, GZ400 / GZ900: Maximum 31 units.
 - Address setting : ANSI X3.28-1976 : 0 to 99
: MODBUS-RTU: 01h~FFh
 - Terminal type : Screw terminals

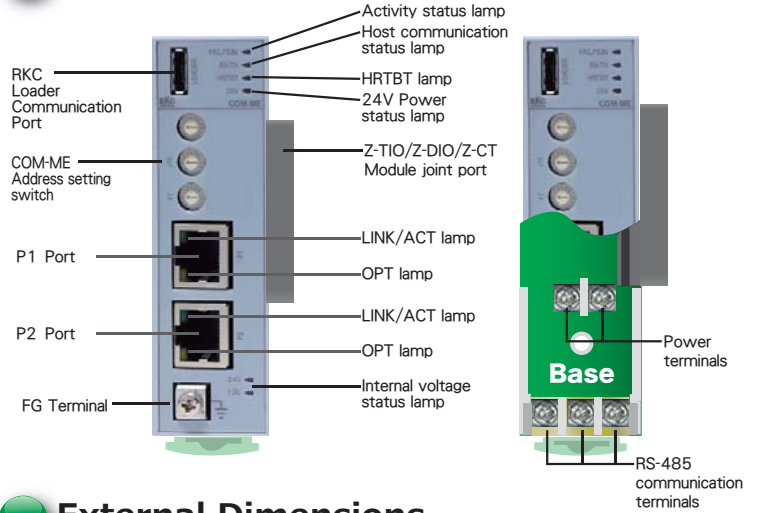
Loader communication

- Communication speed : 38400bps
- Maximum connections : 1unit
- Connection with a loader communication cable for our USB converter COM-K2 (sold separately).

General specifications

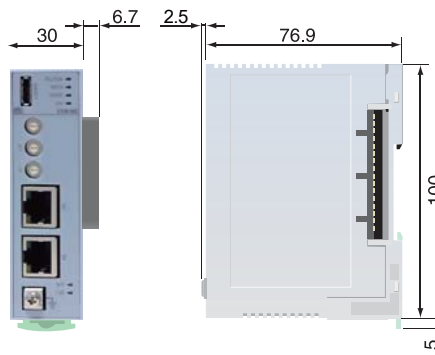
- Power supply voltage : DC24V
- Current consumption : 150 mA max. Rush current : Less than 15A
- Power failure effect : A power failure of 4m sec or less will not affect the action.
- Memory backup : Back-up by non-volatile meory
1) Number of writing : 1,000,000 times
2) Data retaining period : Approx. 10 years
- Allowable ambient temperature : -10~+55°C
- Allowable ambient humidity : 5~95%RH
- Weight : Approx. 150 g
- Safety standards:
1) UL UL61010-1
2) cUL CAN/CSA-22.2 NO.61010-1
3) CE Marking: EMC Directive EN61326-1
RoHS Directive EN IEC 63000
4) RCM EN55011

Parts Description



External Dimensions

Unit:mm



Model and Suffix Code

Compatible models : SRZ Series (Z-TIO-A / Z-TIO-B / Z-DIO / Z-CT)

Specifications	項目	Model and Suffix Code ① ② ③ ④ ⑤				
		COM-ME-1 5 * 02				
Mandatory	Network	①	MODBUS/TCP	1		
	Host communication	②	RS-485		5	
	Supported Controller	③	SRZ(Z-TIO-A / Z-TIO-B / Z-DIO / Z-CT)			02
Option	Factory Setting (Choose protocol)	④	None (Communication protocol is not specified)* Specified (⑤~⑦) need to be specified			No Code / 1
	Host Communication Protocol	⑤	*④ None is chosen and no code is needed			
			RKC Communication			1
			MODBUS Communication			2

If factory setting is not specified, the followings are set as default.
-Host communication protocol: RKC Communication

Compatible models : FZ110 / FZ400 / FZ900, GZ400 / GZ900

Specifications	項目	Model and Suffix Code ① ② ③		
		COM-ME-1 5 * 07		
Network	①	MODBUS/TCP	1	
Host communication	②	RS-485		5
Supported Controller	③	FZ110 / FZ400 / FZ900, GZ400 / GZ900		07



- Before operating this product, read the instruction manual carefully to avoid incorrect operation.
- This product is intended for use with industrial machines, test and measuring equipment. It is not designed for use with medical equipment.
- If it is possible that an accident may occur as a result of the failure of the product or some other abnormality, an appropriate independent protection device must be installed.

Caution for the export trade

All transactions must comply with laws, regulations, and treaties.

Caution for imitated products

As products imitating our product now appear on the market, be careful that you don't purchase these imitated products. We will not warrant such products nor bear the responsibility for any damage and/or accident caused by their use.

RKC® RKC INSTRUMENT INC.
(RIKA KOGYO CO.,LTD)

HEAD OFFICE : 16-6, KUGAHARA 5 CHOME OHTA-KU TOKYO 146-8515 JAPAN
PHONE : 03-3751-9799 (+81 3 3751 9799)
Email : info@rkcinst.co.jp
https://www.rkcinst.com/